

Thermal Transfer Overprinting

Designed for the most demanding, high-volume applications, the SmartDate X65 delivers high resolution coding on flexible film packaging as fast as 455 packs per minute. Its fully intuitive 10.1" user interface makes daily operations easy and straightforward and provides the most valuable information you need to optimize and enhance your Overall Equipment Effectiveness (OEE) through MI Sigma reporting.

Enhanced SmartDate experience

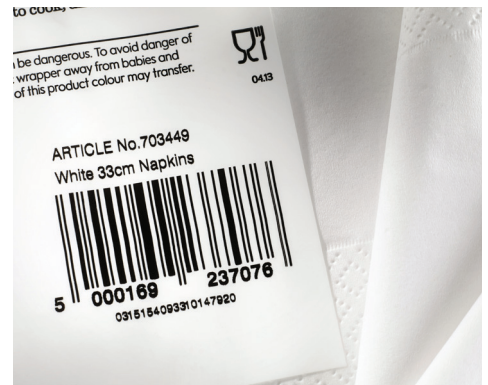
- Optimized tracking of OEE data**
 Coder can be configured to monitor your 5 most important production metrics directly from your home screen e.g., pack rate, throughput, availability.
- Tutorials to facilitate daily activities**
 Animated help and 'how to' tutorials provide guidance on setup and daily maintenance procedures to ensure consistent print quality.
- Profile configurator for error-free operation**
 Configurable profile password function (operator, supervisor and engineer) manages access and limits human-related errors.



A 10.1" color user interface offers a fully intuitive user experience to provide simple operation in just a few clicks.

High-performance printing

- Supports your marketing campaigns**
 Promotional coding function* allows for unique coding on each pack.
- Eliminates faulty codes and protects your brand**
 In addition to its dead-dot detection system, the easy-to-install SmartDate Detect-Plus system* checks and confirms the presence, position and quality of the code on every pack and directly on the user 10.1" interface.
- Achieves superior printing speeds**
 Print speed can be set from 10 mm to 1800 mm per second allowing for 455 printed packs per minute at 300 dpi.



Ideal for multiple line coding including text, logos and barcodes.

Unmatched and cost-effective reliability

- Zero preventive maintenance**
 Robust direct ribbon drive and cassette design contain no wear parts.
- All-in-one printer for enhanced flexibility**
 Both intermittent and continuous configurations with a 53 mm printhead are available on the same coder.
- Up to 15%** more codes per roll**
 Large choice of ribbon rolls based on your packaging type and needs.



Three ribbon types available: SmartDate Xtra, SmartDate Xceed and SmartDate Xpert.

*Optional **Compared to other competitive models.

SmartDate X65 - Specifications

Print features

- Print speed:
 - Intermittent: up to 700 mm/s
 - Continuous: 10 to 1200 mm/s (combined)
 - Continuous: 10 to 1800 mm/s (shuttled)
- Print area:
 - Intermittent: 53 mm x 75 mm
 - Continuous: 53 mm x 750 mm (combined/application dependent)
 - Continuous: 53 mm x 100 mm (shuttled)
- Print features:
 - Automatic printhead setup
 - Detect: Dead-dot detection
 - Quick change print head
 - Intermittent and continuous printer
 - Easily change from left to right hand with no additional parts
 - Gap between prints: 0.5 mm
 - Automatic shift codes and serial numbers
 - Multiple variable user input fields with alphanumeric texts
 - High-pack-rate mode
- Ribbon-saving mode: Radial ribbon save, Interlaced mode, Radial mode 1, Radial mode 2, Radial interlaced, Whitespace, Radial whitespace, Step advance
- Print specifications: Full TrueType font support, including non-Roman characters and symbols. Printing of real-time clock, dates and auto-updating best before dates, barcodes: ITF, Code 39, Code 128, EAN 128, EAN 8, EAN 13, UPC A, UPC E, RSS linear, PDF 417, ID Matrix, QR and Composite RSS barcodes support

Operations

- User interface: 10.1" full colour 1024 x 600 touch screen for message selection, variable data entry, diagnostics and system setup
- MI Sigma Functionality
- Advanced health and availability monitoring
- Configurable user home screen
- Animated help tutorials: ribbon fitting, printhead cleaning, printhead replacing
- Simple print adjust and image adjust
- Master/slave function to allow master control for up to 7 slaves
- Configurable password protection capability
- WYSIWYG print preview of printed message, real-time display of remaining print capacity expressed in hours and number of prints
- Full diagnostics (pack rate, speed)
- Robust LED status indicators on the printer
- Webbing diagram for fast ribbon changes
- Hardware interface: Inputs: "print go" and 1 configurable input
Outputs: fault, warning, and 2 configurable outputs
- Software interface: USB for downloading images, settings and data files.
RS232, Ethernet communications standard. Communications protocols for PCs, PLC and packaging machines, including full remote control web server

Other characteristics

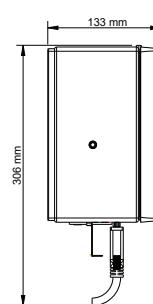
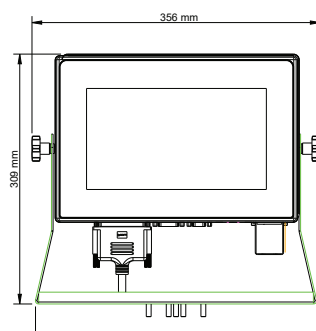
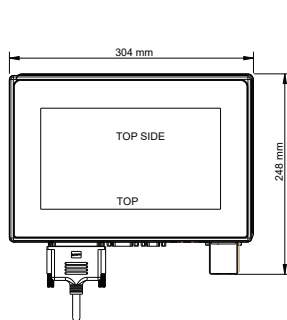
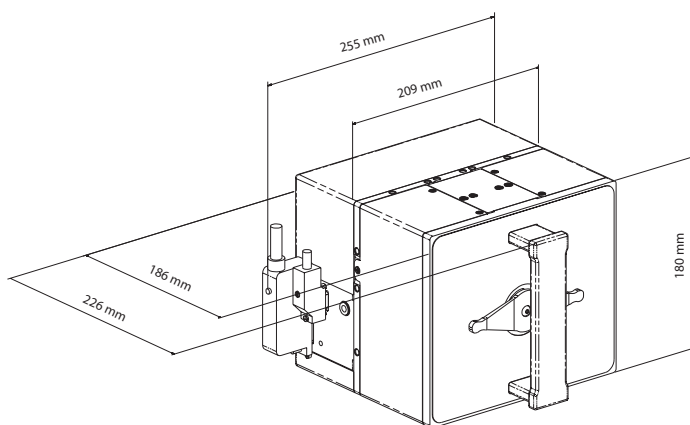
- Supplies: thermal transfer ribbon available in a variety of grades and colors
- Maximum ribbon length: up to 1100 m
- Minimum ribbon width: 20 mm
- Maximum ribbon width: 55 mm
- Weight: Printer: 7.8 kg, Color controller: 4.5 kg
- Electrical power supply: 90 – 264 V with automatic switching; frequency 47/63 Hz; power 150 VA
- Air supply: 6 bar/90 psi (maximum) dry, uncontaminated
- Air consumption: down to 0.4 ml/print at 2.5 bar
- Operating temperature range: 0 to 40°C
- Humidity: 10% to 90% non-condensing

Optional accessories

- Detect-Plus: code detection
- Promotional coding
- IP protection option suitable for pressured water cleaning
- WEB Browser and VNC support
- Mounting bracket
- Encoders
- IP protection kit for installed SmartDate X65

Software

- Included, CoLOS® Free 6.0 for design of simple messages



We reserve the right to amend the design and/or specifications of our products without notice.
©2019 Markem-Imaje Corporation. All rights reserved

Markem-Imaje
Global Sales & Marketing Division
9, rue Gaspard Monge
B.P. 110
26501 Bourg-lès-Valence Cedex France
Tél. : +33 (0) 4 75 75 55 00
Fax : +33 (0) 4 75 82 98 10



markem·imaje

a **DOVER** company

To learn more, visit www.markem-imaje.com

