



# Drive-In / Drive-Through Rack

## SYSTEM DESIGN CHEAT SHEET

**630-516-1115**  
dealersales@rmhsystems.com

PROJECT: \_\_\_\_\_

ADDRESS: \_\_\_\_\_

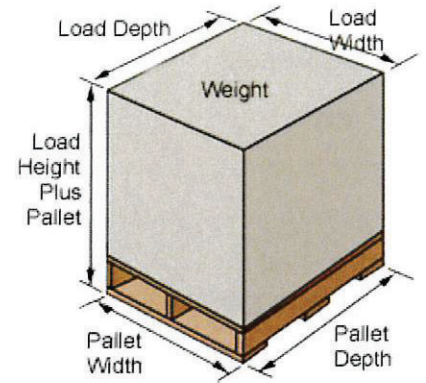
CITY: \_\_\_\_\_ STATE: \_\_\_\_\_ ZIP: \_\_\_\_\_

### PALLET INFORMATION

PALLET WIDTH: \_\_\_\_\_ (in) PALLET DEPTH: \_\_\_\_\_ (in)

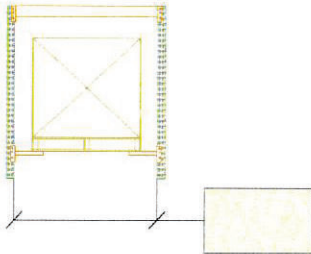
LOAD WIDTH: \_\_\_\_\_ (in) LOAD DEPTH: \_\_\_\_\_ (in)

TOTAL HEIGHT: \_\_\_\_\_ (in) WEIGHT: \_\_\_\_\_ (lbs)



DRIVE-IN:  DRIVE-THRU:

### ENTRY CLEARANCE



### FORK TRUCK INFORMATION

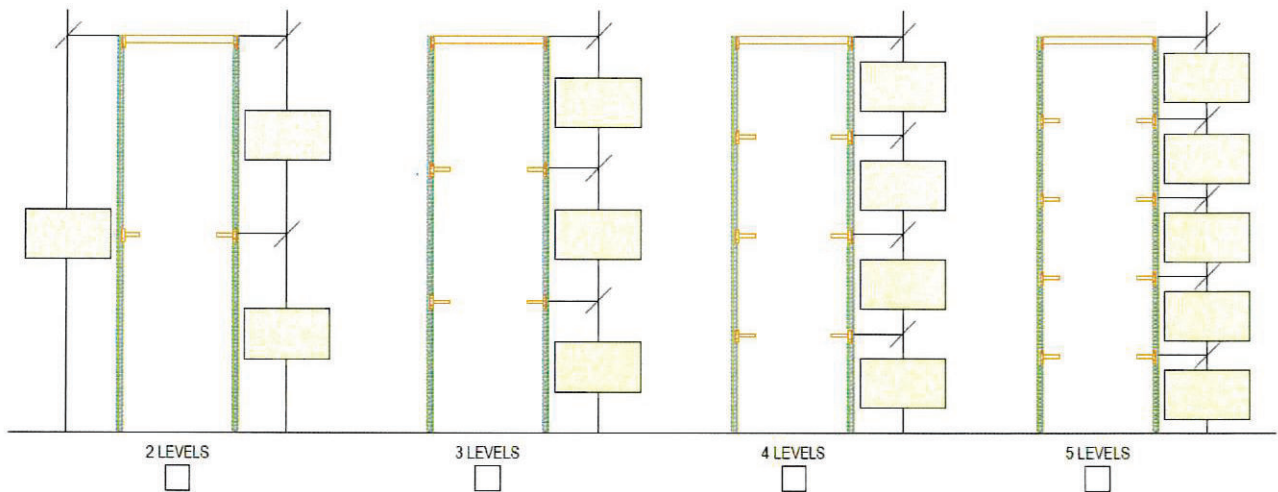
TRUCK MODEL: \_\_\_\_\_

TRUCK WIDTH: \_\_\_\_\_

CAGE HEIGHT: \_\_\_\_\_

CAGE WIDTH: \_\_\_\_\_

### ARM CONFIGURATION



DIMENSION IN INCHES