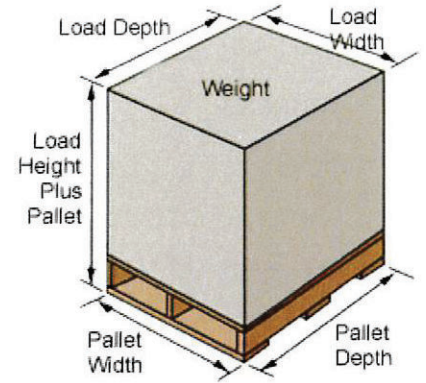


# Selective Rack

## SYSTEM DESIGN CHEAT SHEET

**630-516-1115**  
 dealersales@rmhsystems.com

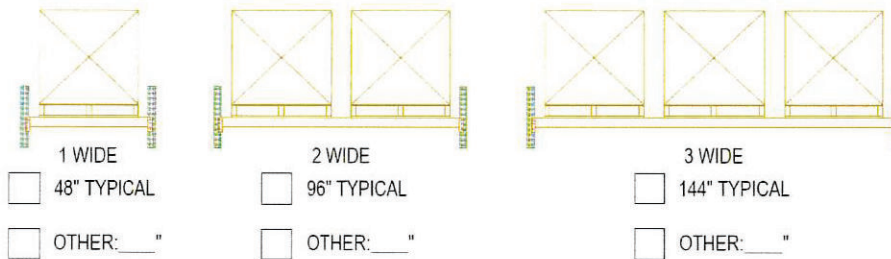
PROJECT: \_\_\_\_\_  
 ADDRESS: \_\_\_\_\_  
 CITY: \_\_\_\_\_ STATE: \_\_\_\_\_ ZIP: \_\_\_\_\_



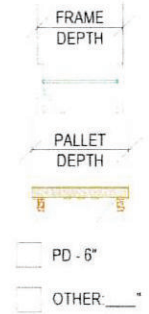
### PALLET INFORMATION

PALLET WIDTH: \_\_\_\_\_ (in) PALLET DEPTH: \_\_\_\_\_ (in)  
 LOAD WIDTH: \_\_\_\_\_ (in) LOAD DEPTH: \_\_\_\_\_ (in)  
 TOTAL HEIGHT: \_\_\_\_\_ (in) WEIGHT: \_\_\_\_\_ (lbs)

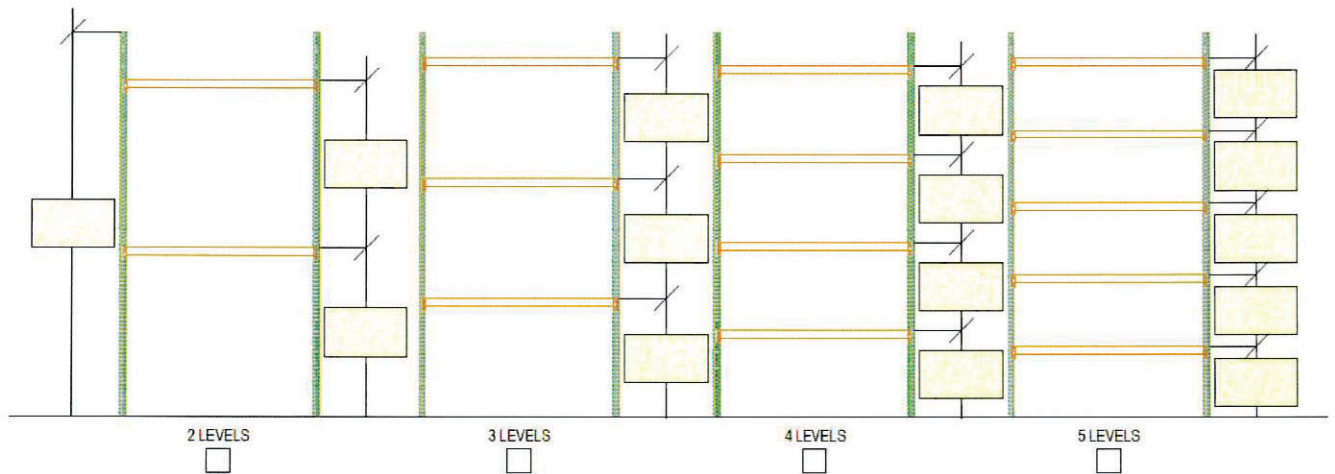
### PALLET CONFIGURATION



### FRAME DEPTH



### BEAM CONFIGURATION



DIMENSION IN INCHES